

DISPLAY REFRIGERATOR

Model: 2RS-SGD

2-Section Display Refrigerator with Sliding Glass Doors - Shallow Depth

2RS-SGD - Stainless steel front, aluminum end panels and interior
2RS-SA-SGD - Stainless steel exterior, aluminum interior
2RS-SS-SGD - Stainless steel exterior and interior



Options and Accessories

(upcharge and lead times may apply)

Stainless steel case back	Hinged glass doors
Heavy-duty pilaster strips	Half doors
Additional epoxy-coated steel shelves	Adjustable legs
Chrome or stainless steel shelves	Wine display
Digital thermometer	Remote models
Expansion valve system	Special electrical requirements (consult factory)
Standard depth	Increased refrigeration system
Pass-thru (glass one side only)	

Consult factory for other model configurations, options and accessories.



Toll-Free: 800-523-7138
 Phone: 215-244-1400
 Fax: 215-244-9579

539 Dunksferry Road
 Bensalem, PA 19020
www.continentalrefrigerator.com

Project Name:

Model Specified:

Location:

Item No:

Quantity:

AIA #:

SIS #:

Standard Model Features

REFRIGERATION SYSTEM

Environmentally-safe R-134a refrigerant

Self contained, performance-rated refrigeration system

Automatic, electric condensate evaporator

CABINET ARCHITECTURE

3" non-CFC polyurethane foam insulation

Self-closing doors

Magnetic snap-in door gaskets

Door lock

Heavy-duty, epoxy-coated steel shelves

Double-pane, tempered sliding glass doors

5" casters

MODEL FEATURES

LED interior lighting

External dial thermometer

Energy saving switch for door heaters

APPROVAL:

Model Specifications

DIMENSIONAL DATA

Net Capacity (cu. ft.)	32 (906 cu l)
Width, Overall (in.)	52 (1321 mm)
Depth, Overall [incl. grill] (in.)	27 7/8 (708 mm)
Depth [less grill] (in.)	25 7/8 (657 mm)
Clear Door Width (in.)	19 3/8 (492 mm)
Clear Door Height (in.)	58 1/4 (1480 mm)
Height, Overall (incl. 5" casters) (in.)	82 1/4 (2089 mm)
No. of Door(s)	2
No. of Shelves	8
Shelf Area (sq. ft.)	40.8 (3.8 sq m)

REFRIGERANT DATA

Condensing Unit Size (H.P.)	1/2
Capacity (BTU/Hr)*	4010

ELECTRICAL DATA

Voltage (int'l)	115/60/1 (220/50/1)
Feed Wires (incl. ground)	3
Total Amps (int'l)	14.3 (6.9)
10 ft. Cord/Plug [attached] (int'l)	Yes (No)

SHIPPING DATA

Height - Crated (in.)	85 1/2 (2172 mm)
Width - Crated (in.)	55 (1397 mm)
Depth - Crated (in.)	42 (1067 mm)
Volume - Crated (cu. ft.)	133 (3766 cu l)
Weight Std - Crated (lbs.)	530 (240 kg)
Weight SS - Crated (lbs.)	610 (277 kg)
Weight Std - Uncrated (lbs.)	360 (163 kg)
Weight SS - Uncrated (lbs.)	440 (200 kg)

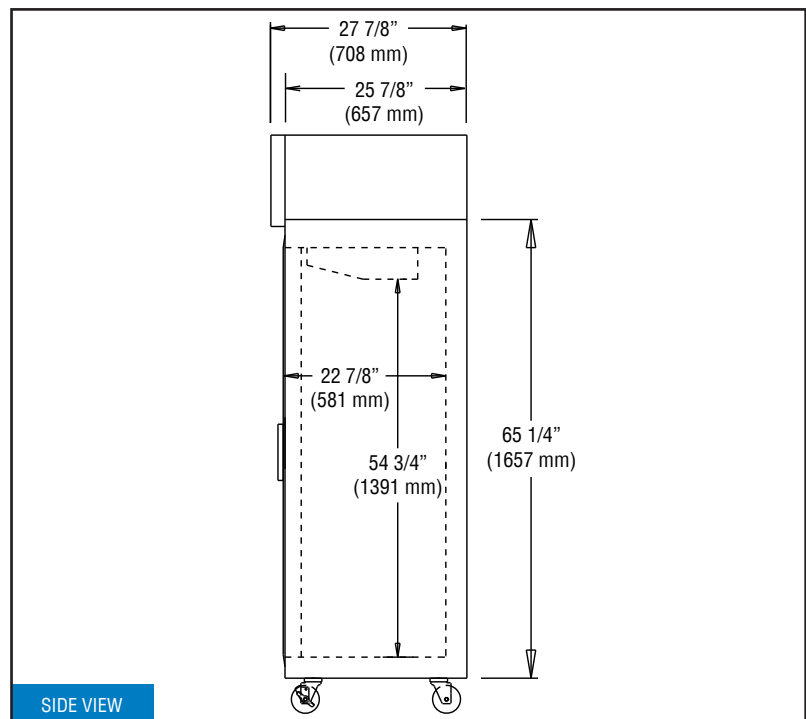
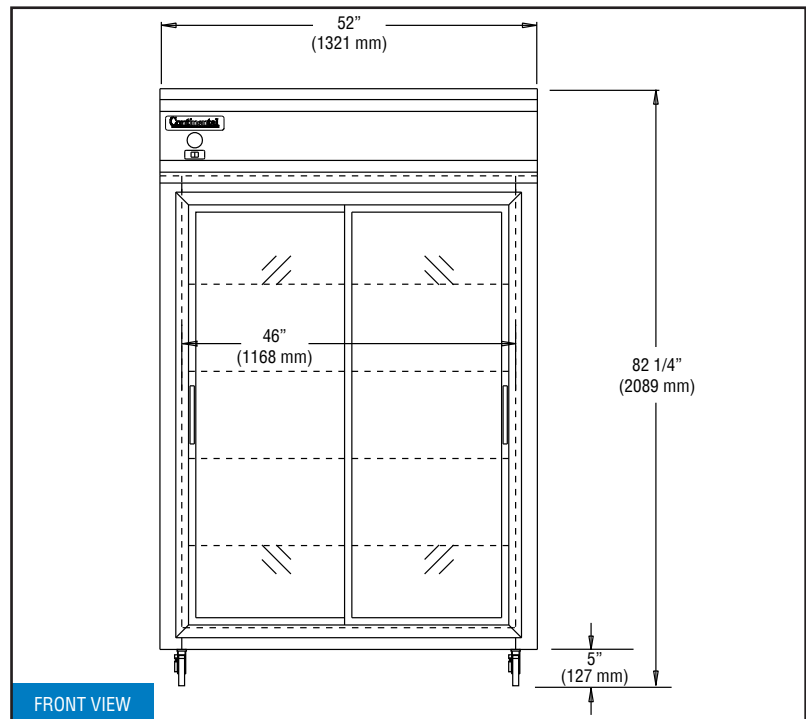
* Rating @ +25°F evaporator, 90°F ambient

Figures in parentheses reflect metric equivalents rounded to the nearest whole unit.



Equipped with one NEMA-5-15P Plug
(varies by country)

Model Plan Views



IMPORTANT NOTE: If the cabinet is located directly against a wall and/or under a low ceiling, a minimum clearance of 12" is required.

if they are not replaced frequently. Contact our factory Service Department for more information.

For optimum performance, all models should be installed on casters or legs (see "Installing Casters" or "Legs") with a minimum 12" above the grill and 3" on each side and back of cabinet (see Figure 3). This spacing will provide sufficient room for proper air circulation and clearance to access components for cleaning and maintenance. If any of these conditions cannot be met, the installer should provide special venting or air ducts, as required.

Continental
Refrigerator

Toll-Free: 800-523-7138
Phone: 215-244-1400
Fax: 215-244-9579

539 Dunksferry Road
Bensalem, PA 19020
www.continentalrefrigerator.com

Due to our continued efforts in developing innovative products, specifications subject to change without notice.



© Copyright 2014. Continental Refrigerator.
A Division of National Refrigeration & Air Conditioning Products, Inc.